

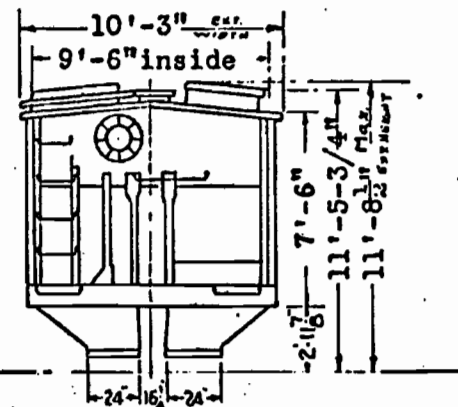
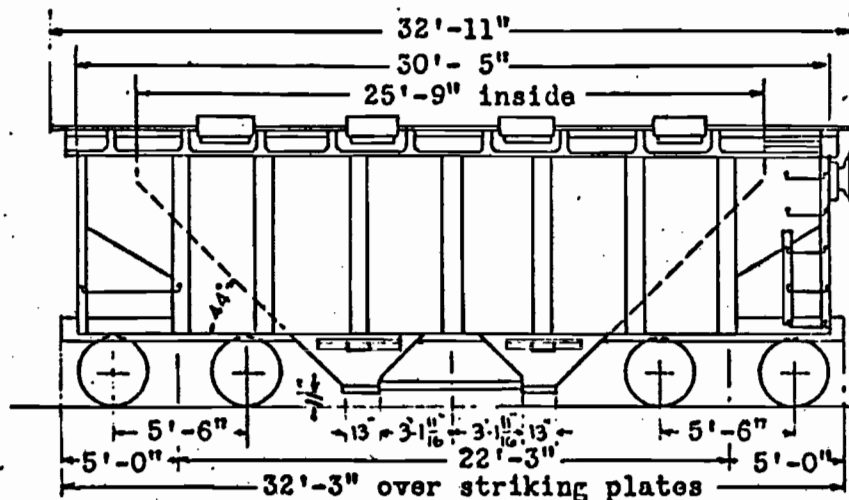
Built: 1935-1940; Company's Shop

SAND CARS X-1201 to X-1212 (1934)  
 SAND CARS X-1213 to X-1215 (1939)  
 BALLAST CARS 1504-1598 (1959)  
 GREY CARS - JUNE, 1959

WM SYSTEM CLASSIFICATION C-1

Covered Hopper Cars No. 5000-5099

Class 10



Sand Cars No. X-1201 to X-1215

GENERAL		DRAFT (Continued)		
1. Capacity - level	1425 cu.ft.	Nominal 110,000 lbs.	14. Coupler centering device	None
2. Lead limit	129,000 "		15. Coupler uncoupling device	Imperial "B"
3. Light Weight	48,000 "		AIR BRAKE	
4. Maximum load on rails	177,000 "		16. Brake schedule	W.A.B. "AB" 10" x 12"
BODY			17. Brake power	28,744 lbs. 50%
5. Framing - Underframe steel	Superstructure Steel		HAND BRAKE	
6. Floor 1/4" steel, Shoathing 1/4" steel	St. Pockets None		18. Operating Device	Ajax 22" wheel
DCORS			TRUCKS	
7. Door operating device	Enterprise		19. Frame	Cast Steel
8. Door opening	4 - 13" x 24"		20. Dead Lever Fulcrum	Wine Brako Balancer
ROOF			21. Side Bearing	Stucki
9. Make	Hatch Opening 2' x 3'	Hutchins Steel	22. Lateral motion device	Barber
10. Carlines - Make	Hutchins Steel	Number 10	23. Snubber	Simplex Unit Type
DRAFT			24. Axles	A.A.R. 5 1/2" x 10"
11. Draft Gear	Miner A-22-XB		25. Wheels	Cast Iron A.A.R. 33"
12. Draft attachments	Farlow two-key		26. Brake beam auxiliary support	Single Economy - Croco

1. 1935-1940  
 2. 1939  
 3. 1959  
 4. 1959  
 5. 1959  
 6. 1959  
 7. 1959  
 8. 1959  
 9. 1959  
 10. 1959  
 11. 1959  
 12. 1959  
 13. 1959  
 14. 1959  
 15. 1959  
 16. 1959  
 17. 1959  
 18. 1959  
 19. 1959  
 20. 1959  
 21. 1959  
 22. 1959  
 23. 1959  
 24. 1959  
 25. 1959  
 26. 1959