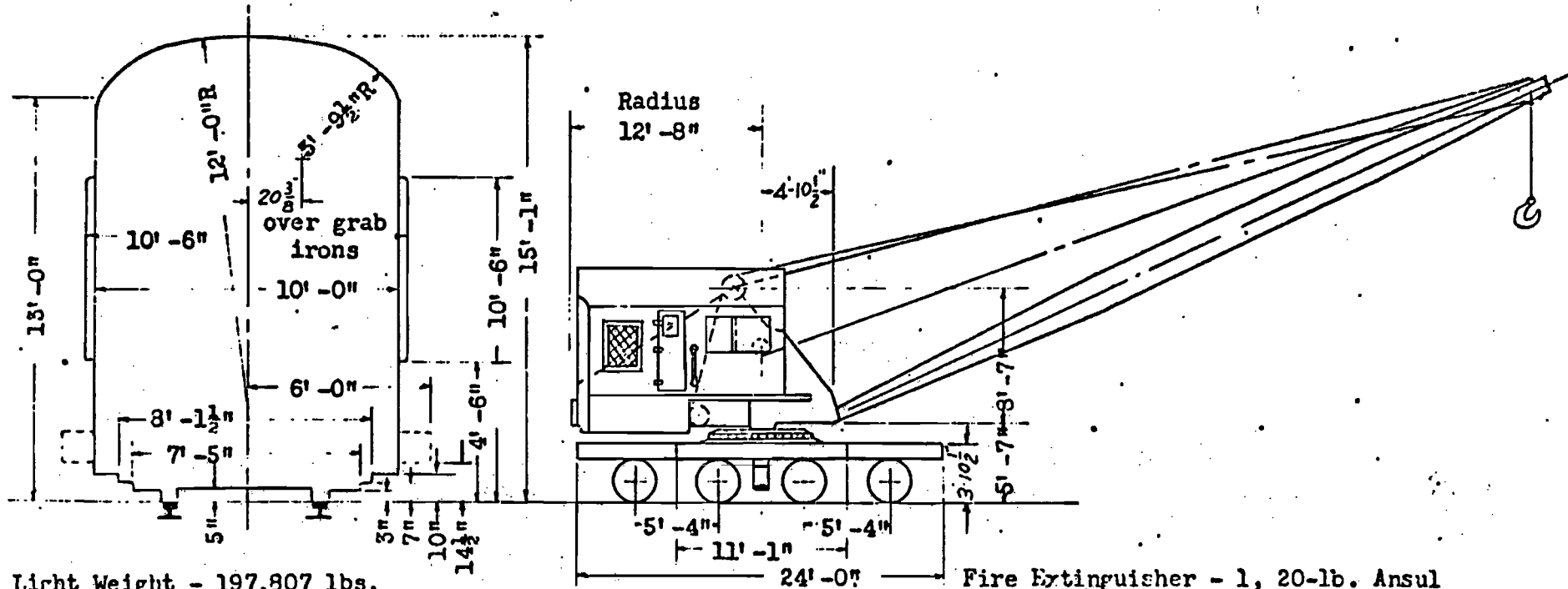


Built by Industrial Brownhoist Corp. #11187
 Diesel Engines applied Feb. 1952, McClung-Logan Equip.Co.

50 Ton Dieselized Locomotive Crane). 1671



Light Weight - 197,807 lbs.

Fire Extinguisher - 1, 20-lb. Ansul

1. Total Weight in working order	198,960 lbs.	12. Boom	50 Ft. Lattice Type with 10 ft. insert
2. Diesel Engines - General Motors-Ser. 6-71 Det. D.E. Div.		13. Boom Rotary Speed - maximum	4 RPM
Power Unit 1 - Model 6032, 2 Cycle, Unit No. 6A-13801		14. Boom Main Hoist Rad. 12'-50'	Max. Speed 200 FPM
Bore & Stroke 4 1/2" x 5", RPM 2000 H.P. 165		15. Cables with (Main hoist 1-1" dia. (6x19)-390 Ft. Long	
Generator Drive 1-Model 2043-C, 2 Cycl. Unit No. 2A-13498		60 Ft. Boom (Boom hoist 2-7/8" dia. (6x19)-143 Ft. Long	
Bore & Stroke 4 1/2" x 5" RPM 1800 20 KW		16. Bucket - Clam Shell General Purpose Capy. 3/4 Cu.Yd.	
3. Main Drive GM Torque Conv. with H.D. Twin Disc Clutch for Reversing		17. Capacity - Pounds	
4. Air Compressor-West. 4YC-2 Stage, belt driven Ser. 213091		50 Ft. Boom	Crane Free With Outriggers
5. Air Brakes S-3 Brake valve, KD-10 x 12		Rad. 12 Ft.	100,000 lbs.
6. Electrical		" 15 "	54,500 lbs.
Generator-Model 1117317, 32V, 25A, Serial No. 441 Delco		" 20 "	37,700 "
Generator for 44" Lifting Magnet 240 V., D.C. 20 KW		" 25 "	23,200 "
Battery 5 - 6V-HD- 115 Amp. hr.		" 30 "	22,350 "
Lights Cab 4 - 50 Watts On Boom 2 - 100 Watts		" 35 "	18,200 "
Alarms Edwards Adaptabel		" 40 "	15,850 "
7. Diesel Engine Supplies Power Unit Generator Drive		" 45 "	13,600 "
Lubricating Oil 7-1/4 Gals. 2-3/4 Gals.		" 50 "	11,650 "
Water 8-3/4 " 3 "		60 Ft. Boom	
Fuel Oil Capacity 137.5 "		Rad. 20 Ft.	39,900 lbs.
8. Travel Speed of crane with maximum load 7.5 MPH		" 30 "	21,450 "
9. Draft Gears- National M-17, Couplers-AAR 6 1/2" x 8"		" 40 "	14,850 "
10. Truck 6" x 11" with Cast Steel Side Frames		" 50 "	10,750 "