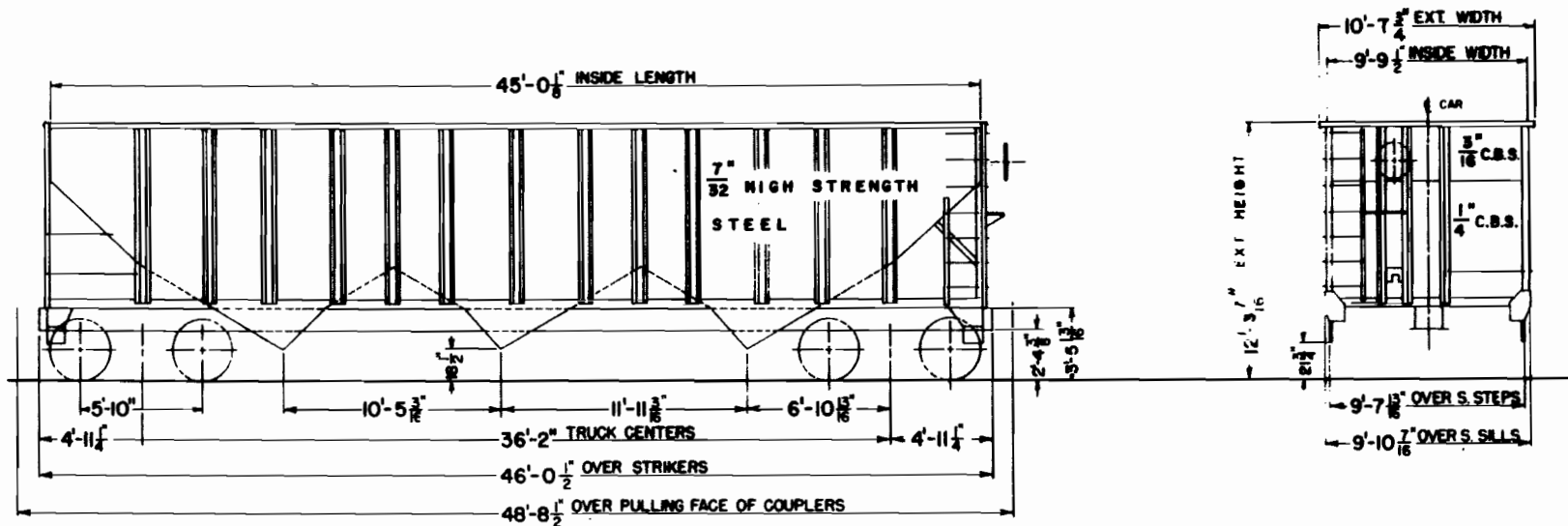


REVISION DATES				MECHANICAL DEPARTMENT		RR	SERIES	CLASS
8-25-75						C&O	77000-78999	H-47
1-21-76						WM	63700-63899	H-47
5-7-80								
6-7-84								
				HUNTINGTON W. VA.	DATE 4-13-71			



SERIES	BLD. REF.	GEN'L ARR'GT	BRK. ARR'GT	DOOR ARR'GT	TRUCK ARR'GT	HANDBRAKE
77000-78999	3400-245	BETH. F-64658			184-3-372	AJAX 14665
63700-63899	3400-251	WM A-1329	WM A-1334	WM C-2517	WM D-5141	EL. NAT. 1600

GENERAL DATA	CAR BODY DATA	TRUCK DATA	MISCELLANEOUS
BUILT BY - BETHLEHEM STEEL CORP.	BRAKES - NOTE 1	TYPE - BARBER S-2-C	NOTE 1
YEAR BUILT - 1971	BRAKE ARRANGEMENT - SEE TABLE	GENERAL DWG - SEE TABLE	ABD CONVENTIONAL - 77000-77999
CUBIC CAPY. - 3433, 10" HEAP 3800	CENTER SILL - C.S.C. SECTION - C.S.D.S.	JOURNAL - 6 1/2" X 12" R.B.	63700 - 63899
AVERAGE LD. LMT - 204000	COUPLER - B-E60B-HT	SPRING TRAVEL - 3 11/16"	AB CONVENTIONAL - 78000-78999
AVERAGE LT. WT. - 59000	DRAFT GEAR - M-901-E	WHEELS - 36" DIA. I.W.S.	
BUILDERS REFERENCE - SEE TABLE	DOOR - C.S. FRAME - 3/8" C.B.S. PLT.	WEIGHT ONE TRUCK -	
RAILROAD SPEC. -	DOOR ARRANGEMENT - SEE TABLE	BRAKE SHOES - 2" COMPOSITION	
GENERAL ARRANGEMENT DWG. - SEE TABLE	END - 3/16" C.B.S.	SUPPLEMENTAL SNUBBING - DOUBLE BARBER	
CLEARANCE - PLATE "B"	FLOOR - 5/16" C.B.S., END FLOOR SHEET 1/4" C.B.S.	SIDE COILS. 77000-77199	
CURVATURE - UNCOUPLED - 150 FT.	HAND BRAKE - SEE TABLE W/63 B.C.	SIDE FRAMES W/MDA BRACKETS.	
COUPLED TO BASE CAR - 195 FT.	LINING -	77200-78999 ARRANGED FOR	
CENTER OF GRAVITY - LIGHT -	UNDERFRAME - RIGID	CENTER PLATE EXTENSION PADS.	
LOADED -			