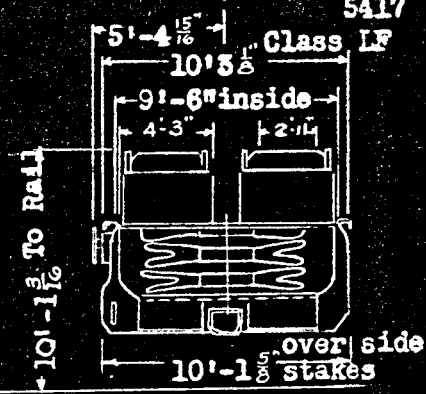
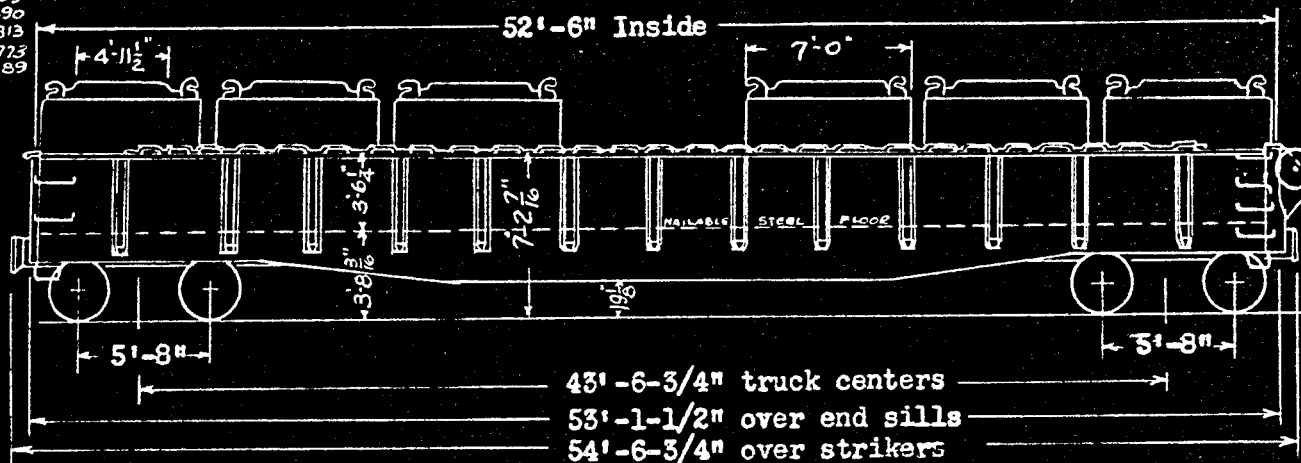


5411-54909  
5412-54890  
5413-54813  
5416-54773  
5417-54789



12 Containers per car  
Nos. C-221 to C-340

Cu.Ft. 145  
Lt.Wt. 2040

| GENERAL  |   | DRAFT (Continued)   |                               |
|--|---|---|-------------------------------|
| 1. Capacity  | 124,100 lbs.  | 16. Striker & Coupler Carrier with Coup.Ht.Adj.             | SREM Co.                      |
| 2. Load Limit  | 124,100 "   | 17. Coupler Uncoupling Device                               | "Standard" SREM Co.           |
| 3. Light weight of car without blocking                    | 61,400 "  | BRAKE   |                               |
| 4. Maximum Load on Rails                                   | 210,000 "   | 18. Brake Schedule  | W.A.B.Co. "AB" 10" x 12"      |
| BODY   |   | 19. Brake Power   | 40,104 lbs. 65%               |
| 5. Underframe  | Center Sills AAR "Z" - 41.2 lbs.                      | 20. Hand Brake  | Klasing, Universal, Equipco   |
| 6. Sides-1/4"Steel, Side Stakes-26-3/8"-7/16"Pressed Steel |   | TRUCKS - 2 1/2" Spring Travel                               |                               |
| 7. Floors  | Nailable Steel Flooring G.L.S.Corp.                   | 21. Frames - A3 Ride Cont.ASF, Barber S-2-A Std. Car Truck  |                               |
| 8. Top Reinforcing Angle 4" x 4" x 1/2" x 39' 0" lg.Angle  |   | 22. Brake Slack Adjuster                                    | Type "MS" O'Boyle             |
| 9. Drop End Doors  | Dreadnaught 3/8" Steel SREM Co.                       | 23. Brake Levers and Connectors                             | Schaefer                      |
| 10. End Door Reinforcement                                 | 5" x 4 1/2" x 7/16" Bulb Angle                        | 24. Side Bearings   | Stucki                        |
| 11. Door Opening   | 8' - 11 1/2" Wide                                     | 25. Packing Retainers - Spring Packing, U.S.Mfg.Co., Modern |                               |
| 12. End Door Locks & Lading Band Anchors                   | Wine  | 26. Snubbers  | Bolster Friction Block        |
| DRAFT  |   | 27. Axles - AAR 6" x 11" Wheels - 1-Wear Wrot Steel 33"     |                               |
| 13. Draft Gear   | Miner RF-333, Card.West. NY-11-F<br>Edgewater B-32-KA | 28. Brake Beam No.18 Creco                                  | Brake Beam Hangers - Flannery |
| 14. Draft Key - AAR  | Retainer Lock I.R.E.Co.                               | 29. Brake Beam Supports and Safety Device                   | Creco 4-Point                 |
| 15. Coupler  | A.A.R. Type "E" 6 1/4" x 8" Bottom Operated           | 30. Train Length Coupled                                    | 57' - 0-3/4"                  |