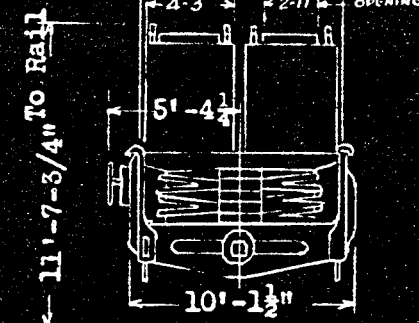
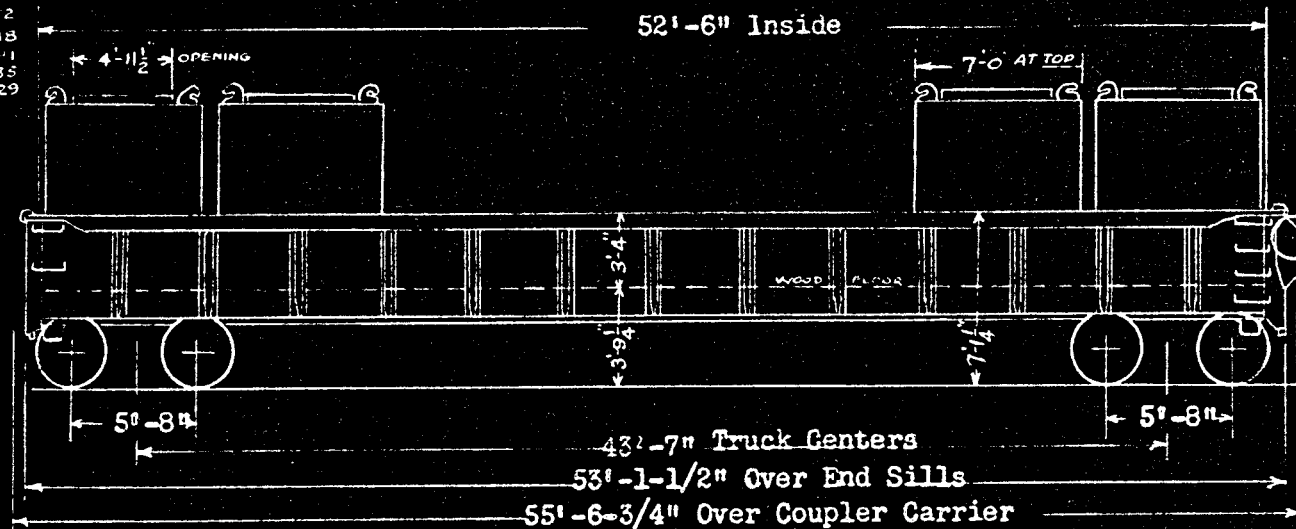


Converted Dec. 1954 - Co's. Shop, from Series 50801-900  
(G.S.C. Lot 00-281, Oct. 1939)

Container Cars Nos. 5402, 5402  
5404, 5405  
5406  
Class LF

5401-5402  
5403-5404  
5405-5406  
5407-5408  
5409-5410



8 Containers per car  
Nos. C-101 to C-220

Cu.Ft. 145  
Tt.Wt. 3040

GENERAL

DRAFT (Continued)

1. Capacity	131,300 lbs.	14. Coupler Centering Device	None
2. Load Limit	131,300 "	15. Coupler Uncoupling Device	Imperial Rotary
3. Light Weight of car with blocking	55,500 "	AIR BRAKE	
4. Maximum Load on Rail	210,000 "	16. Brake Schedule	W.A.B.Co. "AB" 10" x 12"
BODY		17. Brake Power	40,200 lbs. 72%
5. Framing - Underframe Duryea	Superstructure Steel	HAND BRAKE	
6. Floor 2-3/8" Y.P.	Sheathing 1/4" Steel	18. Operating Device	Ajax 22" Wheel
DOORS (Drop End)		TRUCKS	
7. Door Operating Device	Wine	19. Frame	Cast Steel Double Truss
8. Door Opening	8' - 11-1/2" x 3' - 2-1/4"	20. Dead Lever Fulcrum	Wine Brake Balancer
ROOF		21. Side Bearing	Stucki All Steel
9. Make	None	22. Lateral Motion Device	None
10. Carlines	None	23. Snubber	Cardwell Friction Type "A"
DRAFT		24. Axles	A.A.R. 6" x 11"
11. Draft Gear	Duryea Cushion	25. Wheels	33" - One-wear Wrot Steel
12. Draft Attachments	Duryea Keyed Yoke	26. Brake Beam Auxiliary Support	Creco Economy
13. Couplers	A.A.R. Type "E" 6-1/4" x 8"	27. Train length, coupled	57'-10"