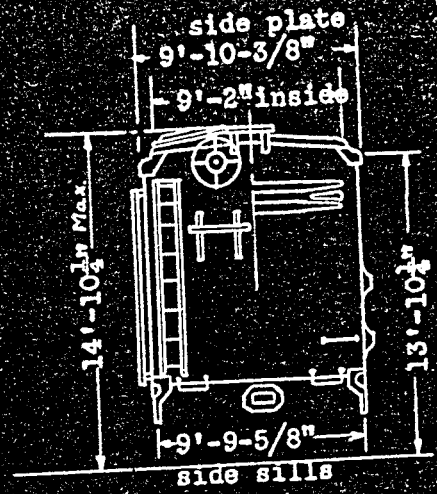
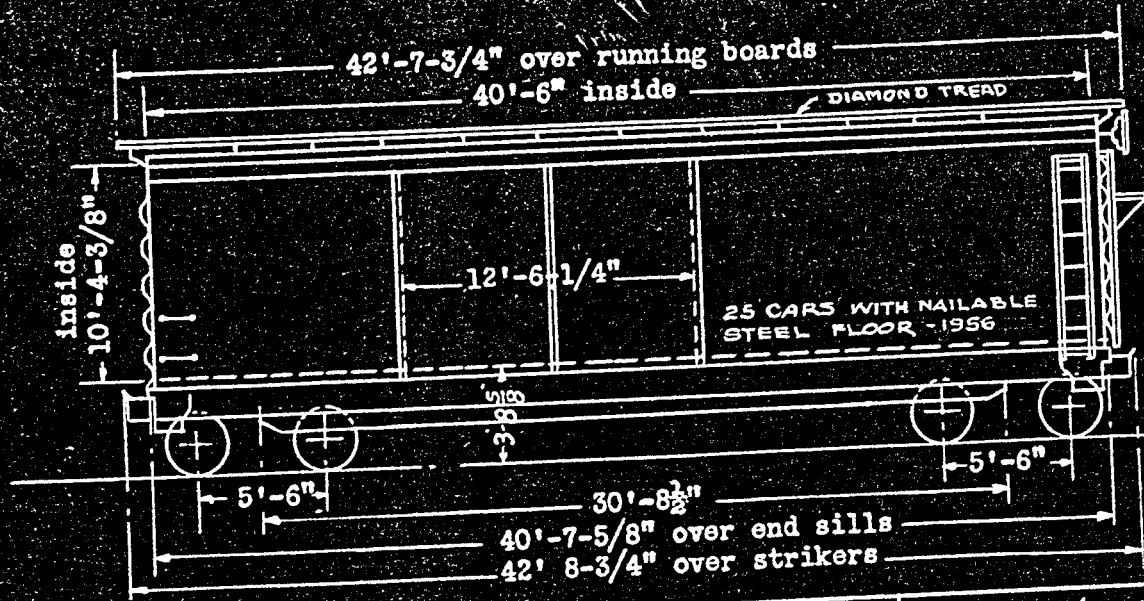


June 1937 Bethlehem Steel Co. Order No DF 8742

Automobile Cars No. 50100-50199
Class XM



GENERAL		DRAFT (Continued)	
1. Capacity - level	3847 cu.ft.	Nominal	100,000 lbs.
2. Load Limit			119,185 "
3. Light weight			49,815 "
4. Maximum load on rails			169,000 "
BODY		14. Coupler Centering Device	
5. Framing - Underframe Duryea Steel Superstructure Steel		15. Coupler Uncoupling Device	
6. Floor 2-3/8" Y.P. Sheathing .10 Steel, St.Pockets None		AIR BRAKE	
		16. Brake Schedule	
		W.A.B. "AB" 10" x 12"	
		17. Brake Power	
		30,000 lbs.	
		60%	
7. Door operating device		HAND BRAKE	
Camel Lift Type		18. Operating Device	
8. Door opening		Ajax 22" wheel	
12' 6 1/4" x 9' 9-1/16"		TRUCKS	
ROOF		19. Frame	
9. Make		Cast Steel Double Truss	
Chicago-Hutchins		20. Dead Lever Fulcrum	
Steel		Wine Brake Balancer	
10. Carlines		21. Side Bearing	
		Wine Single Roller	
DRAFT		22. Lateral Motion Device	
Duryea Cushion		23. Snubber	
		24. Axles	
		A.A.R. 5 1/2" x 10"	
		25. Wheel	
		Cast Iron	
		A.A.R. 33" Wheel	
		Cast Iron auxiliary support	
		Single Economy	
		Creco	