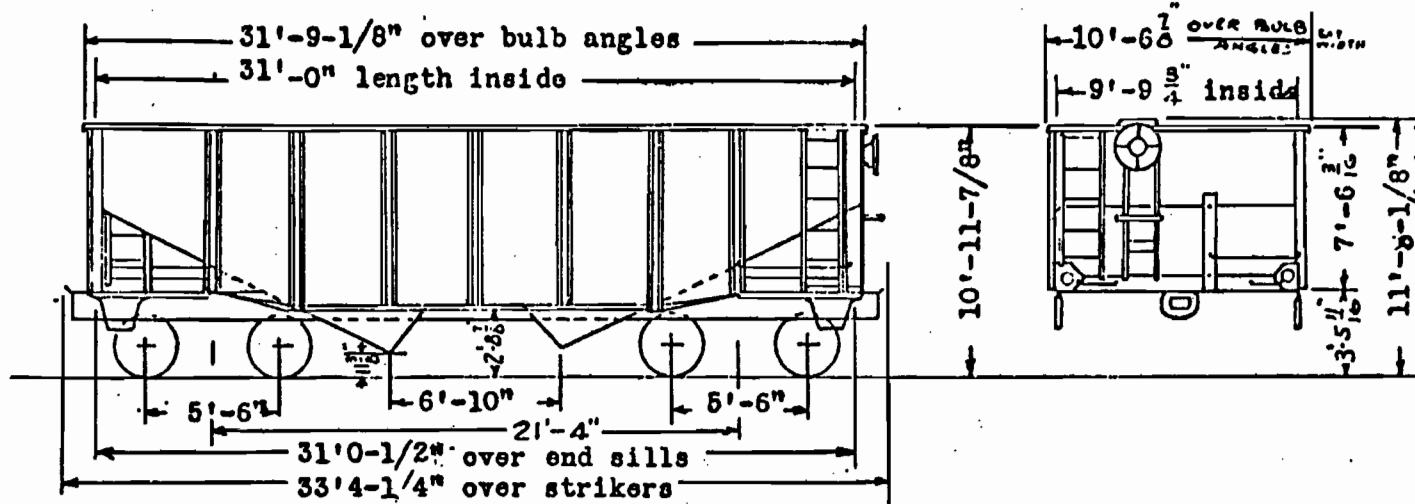


WM SYSTEM CLASSIFICATION H-10



36.21" CENTER SILL

1. GENERAL		DRAFT (Continued)	
1. Capacity - Level 2028 cu.ft.	Nominal 110,000 lbs.	16. Striker & Coupler Carrier with Coup.Ht.Adjust.	SREXCo.
2. Load Limit	135,700 "	17. Coupler Uncoupling Device	"Standard Safety" SREXCo.
3. Light Weight	41,300 "	BRAKES	
4. Maximum Load on Rails	177,000 "	18. Brake Schedule	WAB Co. "AB" 10" x 12"
BODY		19. Brake Power	80,852 lbs. 75%
5. Framing - Underframe Duryea	Superstructure Steel	20. Hand Brake	Ajax
6. Floor, Sides, Hood Sheets	1/4" Steel	TRUCKS	
7. Hopper Door	Wine	21. Frame	2 1/2" Spring Travel A-3 Ride Control A.S.F.
8. Hopper Door Frame	Wine	22. Brake Balancer	Wine
9. Hopper Door Fixtures	Wine	23. Brake Levers and Bottom Connectors	Schaefer
10. Hopper Door Opening	4 - 25-3/4" x 35 3/4"	24. Side Bearings	Elmer
11. Bulb Angle	5" x 4-1/2" x 7/16"	25. Spring Plank	None
12. Side and End Ladders	"Safe Grip" Wine	26. Snubbers	Bolster Friction Blocks A.S.F.
DRAFT		27. Axles -	AAR 5 1/2" x 10", Wheels 1-Wear Wrot Steel 33"
13. Draft Gear	Single Spring Duryea	28. Brake Beam Hangers	Flannery
14. Draft Key & Retainer-AAR Std.Key & IRECo.Positive Look		29. Brake Beam Supports and Safety Device	Croco 4-Point