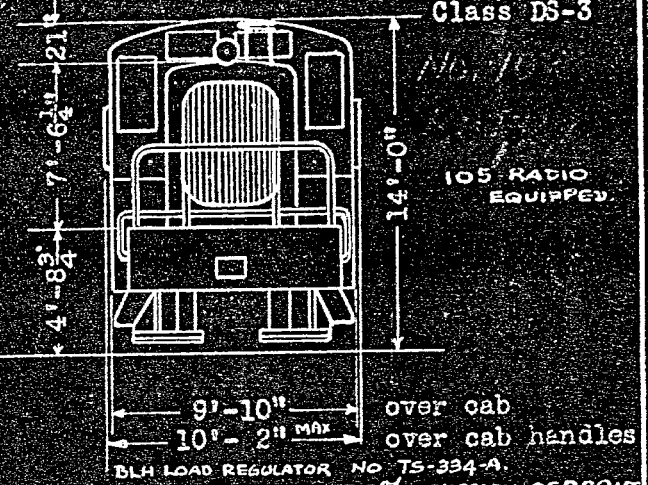
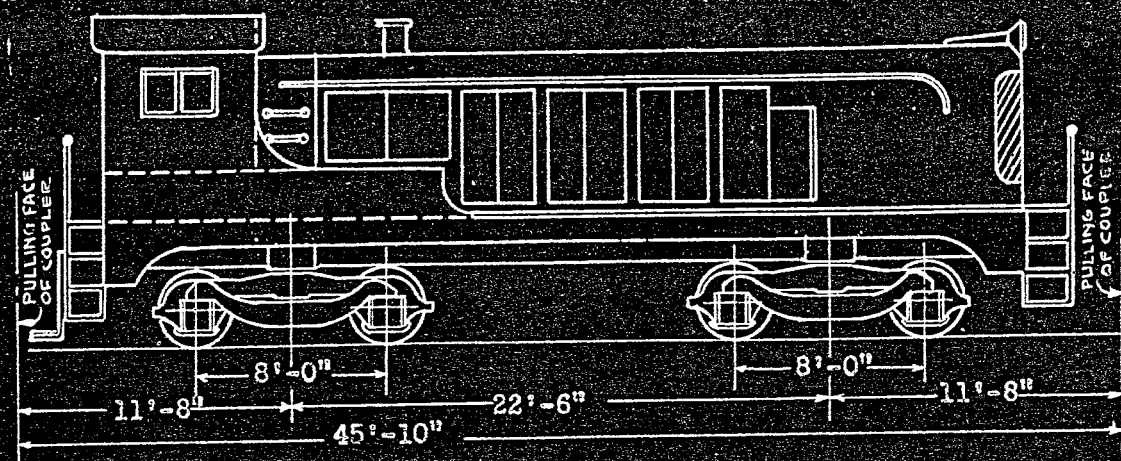


Built July 1942 Baldwin Locomotive Works
 BUILDERS No. 103-64388, 104-64389, 105-64400

Diesel Electric Switching Engines No. 103-105
 Class DS-3



GENERAL DATA

Loco. No. 103 - MAX. WT. 220,000. STARTING TRACTIVE EFFORT @ 30% ADHESION 66000 lbs.

1. Weight - Working Order	Nos 104, 105	196,000 lbs.	CAPACITY (Continued)	
2. Horsepower		660 H.P. @ 625 r.p.m.	27. Sand	30 cu.ft.
3. Tractive Power @ 30% adhesion		58,800 lbs.	MISCELLANEOUS	
4. Ratio of Gears		16-76	28. Sanders	Graham-White Co.
5. Maximum speed restriction		60 M.P.H.	29. Horn	Leslie-Tyfon
ENGINE			30. Bell Ringer	Transportation Devices Corp.
6. Type	De La Vergne Model VC Four Cycle		31. Window Wiper	Hayes
7. Cylinders		6	32. Traction Motor Blower	B.F. Sturtevant & Co.
8. Cylinders - bore and stroke		12-3/4" x 15 1/2"	33. Draft gear	Miner A-22-XB
9. Displacement		11,800 cu.in.	34. Coupler	6 1/4" x 8" Shank, A.A.R. Type "E" Top Operated
ELECTRICAL			AIR BRAKE	
10. 1 WE Generator - Type 485-K-4	Cont. Rat.	1,000 amps.	35. Schedule	Westinghouse Type EL-14
11. 1 WE Aux. Generator - Type YG-30 G	" "	67 "	36. Brake power	70% 137,200 lbs.
12. 4 WE Motors - Type 362-B	" "	470 "	37. Pumps (Air Compressor)	Gardner Denver WXO
13. 1 Control Equipment	Electro Pneumatic Type W.E.Co.		38. Pump capacity at full engine speed	176 c.f.m.
14. Radiator Fan	Buffalo Forge Propeller Type		39. Reservoir capacity	60,000 cu.in.
15. Batteries (103, 104 - Exide MVAH 17)(105 - Exide MV-17 D)	56 Cells.		40. Hand Brake	National Brake Co.
16. Lighting Circuit		125 Volts	TRUCKS	
17. Headlight		250 Watts 32 Volts	41. Type	Swivel Type Cast Steel
TRACTIVE POWER			42. Axies	Journal dia. & length 6 1/2" x 12"
18. Starting	Nos 104, 105	@ 30% adhesion 58,800 lbs.	43. Wheels	4 Pairs - rolled steel 40" dia.
19. 5 M.P.H.		34,000 "	44. Brake cylinders	4 - 9" x 7"
20. 10 M.P.H.		18,700 "	45. Side bearings	Plain Steel
21. 15 M.P.H.		12,500 "	46. Flange Oiler	S-Swaner Type
22. 20 M.P.H.		9,100 "	LIMITING DIMENSIONS	
23. 25 M.P.H.		7,400 "	47. Maximum length	45' 10"
CAPACITY			48. Maximum width	10' 2"
24. Fuel		600 gals.	49. Maximum height	14' 0"
25. Cooling Water		240 "	50. Minimum radius of curvature (Loco. alone)	75' 0"
26. Lubricating Oil		95 "		