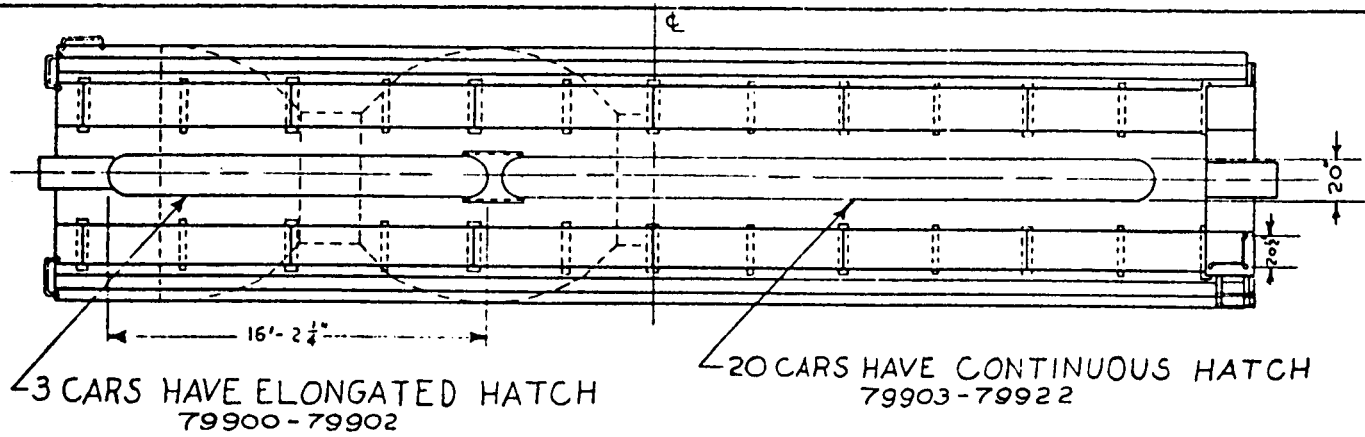


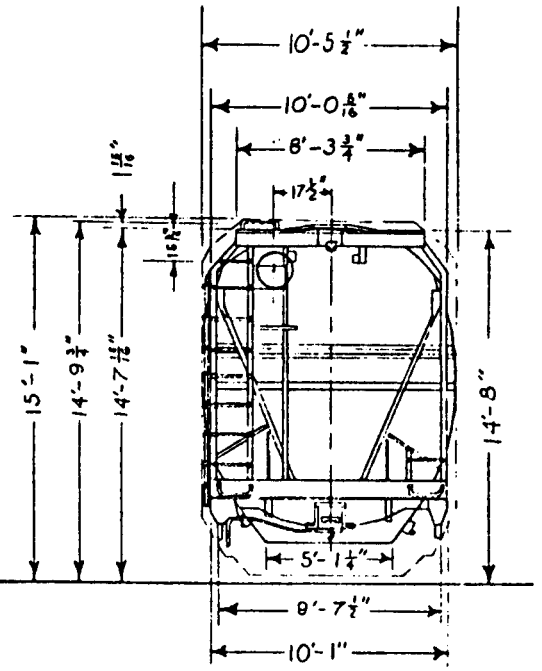
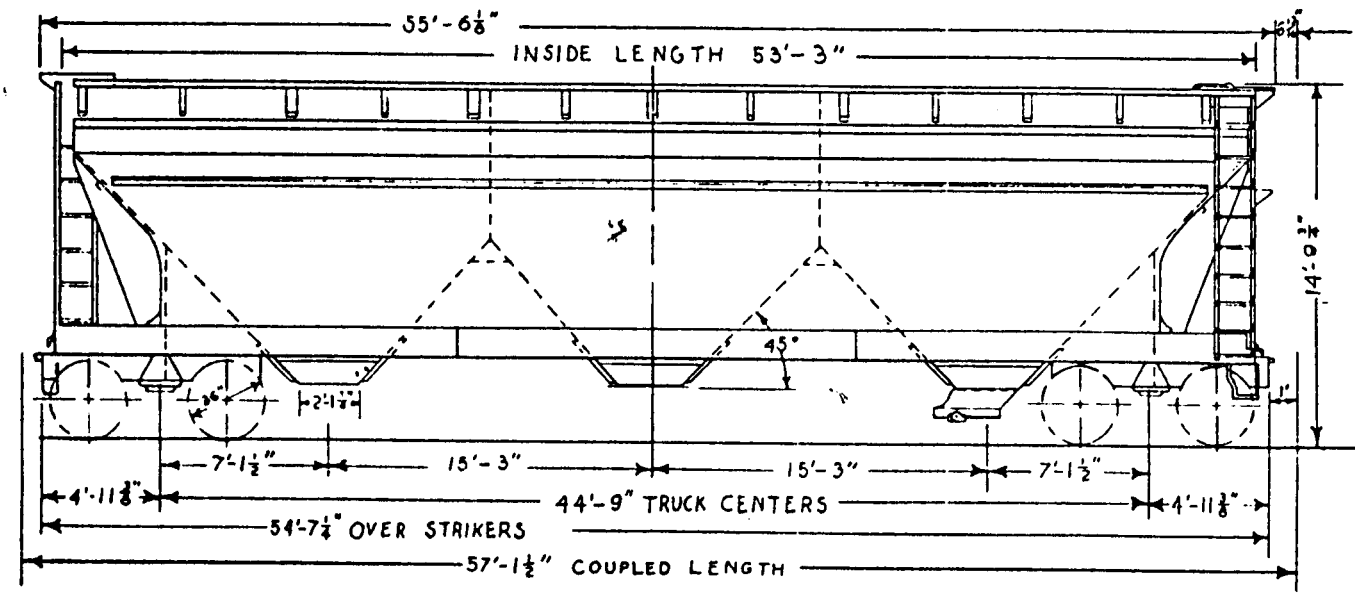
READING COMPANY
MECHANICAL DEPT.
READING, PA.

100TON
STEEL CENTER
FLOW CAR
SERIES 79900-79902
CLASS-LOJ
SERIES 79903-79922 CLASS-LOK



3 CARS HAVE ELONGATED HATCH
79900-79902

20 CARS HAVE CONTINUOUS HATCH
79903-79922



BUILDER — ACF	SIDE SILL — 1/2" FABRICATED STEEL	COUPLER — AAR TYPE E	SNUBBER SPRING — AAR
BUILT — MUSTINGTON, W. VA. JUNE '66	END SILL — 3" X 6" TRI-TEN	HANDBRAKE — AAR NONSPIN E.V.	BRAKE BEAM — WABCO
WEIGHT — 67,800* EST.	CENTER SILL — 2-26 33.2" ENDS	RUNNING BOARD — GALV. STEEL	JOURNALS — 6 1/2" X 12"
INSIDE LENGTH — 53'-3"	INTERMEDIATE SILL — NONE	TRUCK SIDE FRAME — CAST STEEL	ROOF — 1/8" A441 STEEL
INSIDE WIDTH — 10'-5 1/8"	BODY BOLSTER — BUILT-UP-STEEL	TRUCK BOLSTER — CAST STEEL	MIN. RAD. CURVE — 125'
CAPACITY — 4600 C.U.F.T.	SUPERSTRUCTURE — BUILT-UP-STEEL	AIR BRAKE — WABCO PAC ABD VALVE	
UNDERFRAME — BUILT-UP-STEEL	CARLINES — NONE	DRAW GEAR — MINER RF-361	