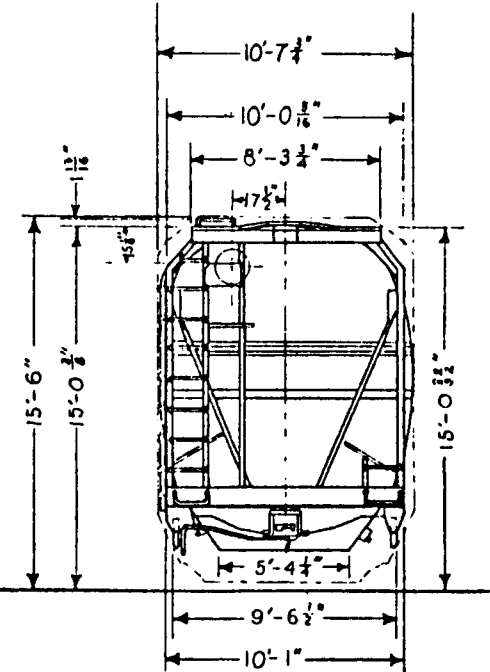
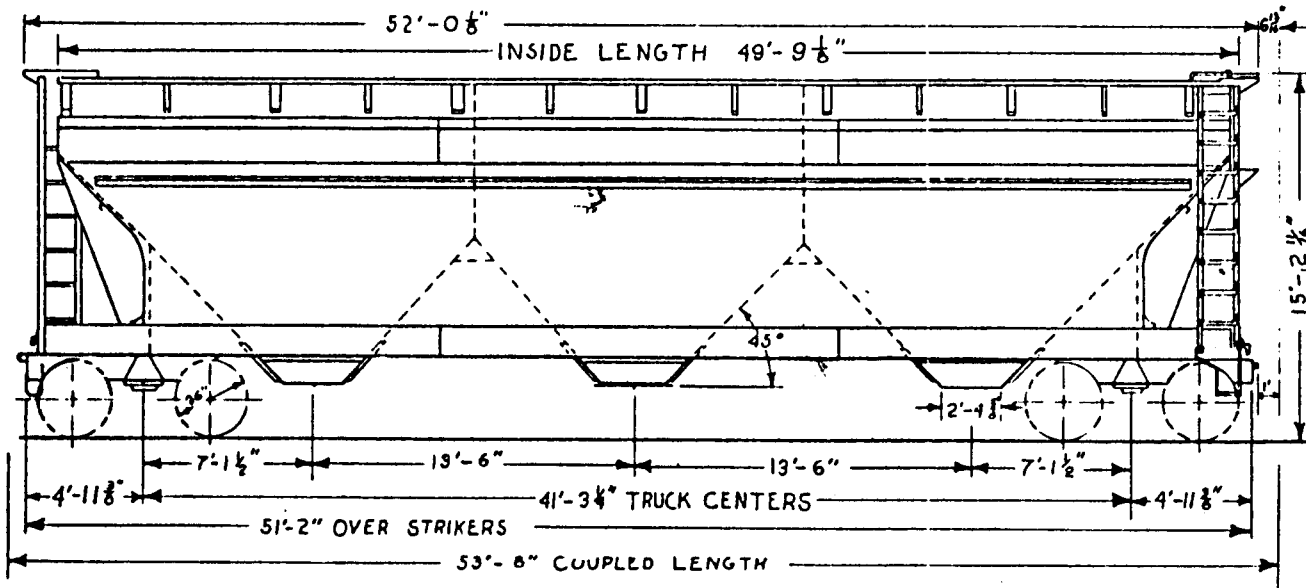
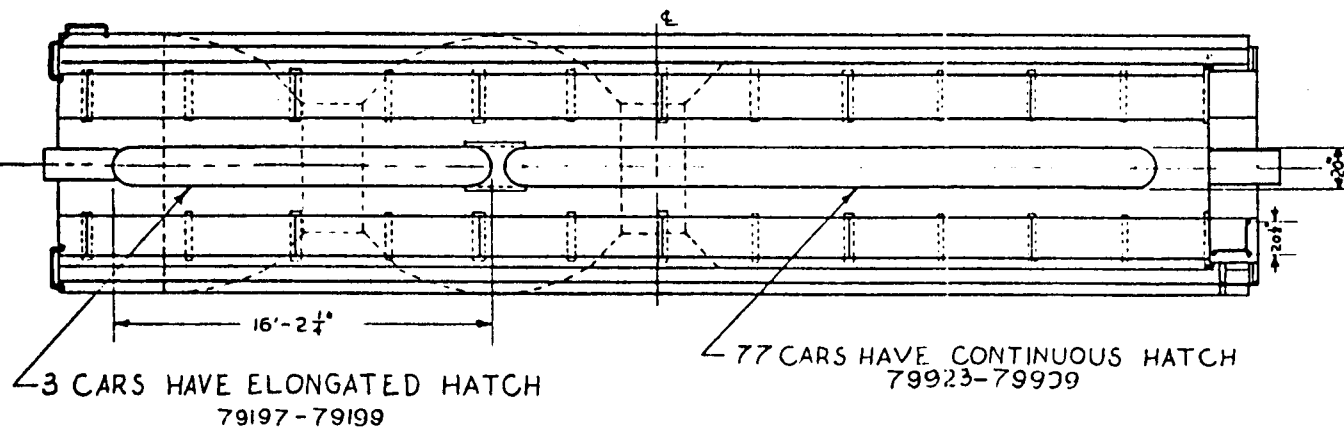


READING COMPANY
MECHANICAL DEPT.
READING, PA.

100-TON
STEEL CENTER
FLOW CAR

SERIES 79923 - 79999 CLASS-LOL
" 79197 - 79199 CLASS-LOM



| | | | |
|-----------------------------|------------------------------------|--------------------------------|-------------------------|
| BUILDER — ACF | SIDE SILL. — 3/8" FABRICATED STEEL | RUNNING BOARD — STEEL-APEX | SNUBBER SPRING — AAR |
| BUILT — RDG. JUNE '66 | INTERMEDIATE SILL — NONE | TRUCK SIDE FRAME — CAST STEEL | BRAKE BEAM — WABCO PAC |
| WEIGHT — 62,000 EST. | BODY BOLSTER — BUILT-UP-STEEL | TRUCK BOLSTER — CAST STEEL | JOURNALS — 6 1/2" X 12" |
| INSIDE LENGTH — 49'-9 1/8" | SUPER STRUCTURE — BUILT-UP-STEEL | AIR BRAKE — WABCO PAC-280V | ROOF — 1/2" A441 STEEL |
| INSIDE WIDTH — 10'-7 1/4" | CARLINES — NONE | DRAW GEAR — MINER 400 A | MIN. RAD. CURVE — 125' |
| CAPACITY — 4630 CU. FT. | COUPLER — AAR TYPE E | CENTER SILL — 2-26 332" @ ENDS | |
| UNDERFRAME — BUILT-UP-STEEL | HANDBRAKE — AAR NONSPIN | END SILL — 1/2" X 6" TRI-TEN | |