

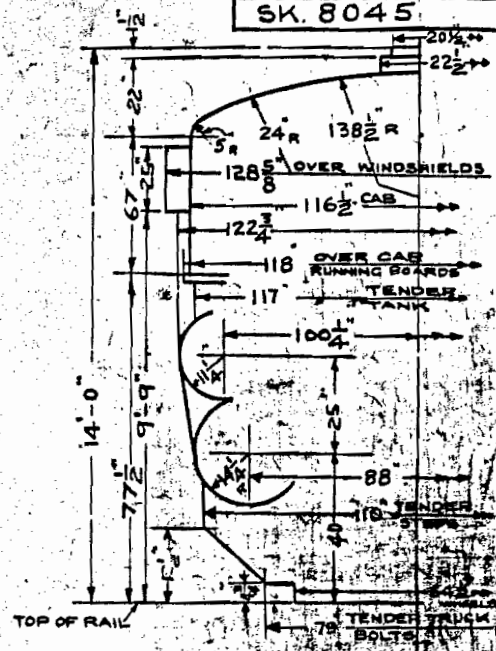
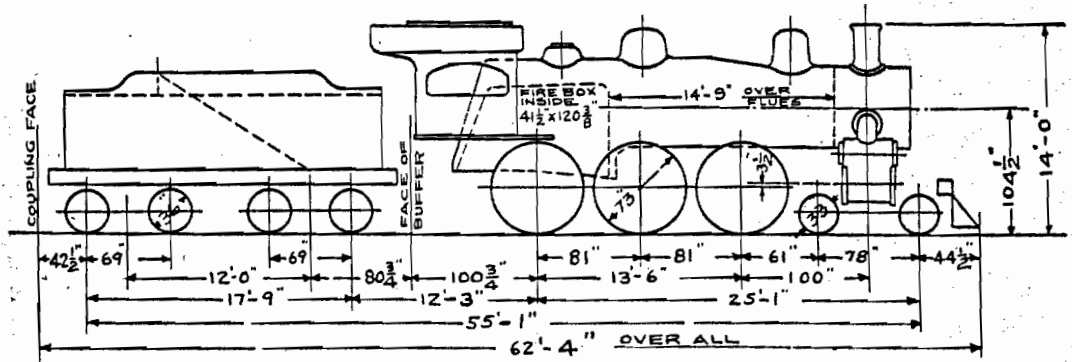
DEC. 9, 1929.

N.Y.N.H. & H.R.R. CO. MECH. ENGRS. OFFICE

CLASS G-4-a
 DIAGRAM
 SK. 8045

WEIGHT ON DRIVERS 135860 LBS.
 TOTAL ENGINE WEIGHT 174860 LBS.

ALL DIMENSIONS ARE GIVEN FOR ENGINE
 AND TENDER IN WORKING ORDER, AND
 WITH NEW WHEELS AND TIRES.



CORRECT

APPROVED

B.R. Jones
 CD

[Signature]
 M.E.

THIS SK. SUPERSEDES SKS. 2862 & 5210

BOILER DATA

TENDER DATA

GENERAL DATA

ITEM	B.W.G.	DIAM.	HEATING SURFACE SQ. FT.		TENDER DIAGRAM SK.	LOADED WT. LBS.	CAPACITY		TENDER CLASS	BOILER PRESSURE 190 LBS.	
			172-2" FLUES	169-2" FLUES			WATER	COAL		TRACTIVE EFFORT	FACTOR OF ADHESION
SMALL FLUES	#12 MIN	2"	1321	1298	8009	120000	6000	10	W-5-a	27840 LBS.	4.87
LARGE FLUES	21	#10 MIN 5 1/2"	434	434	8008	120000	6000	10	W-5-c,d		
TOTAL FLUES			1755	1732	8008	133300	7000	12	W-6-b	19'	
FIRE BOX PROPER			168	168						VALVE GEAR	BAKER
SYPHON	1			29							WALSCHAERT
ARCH TUBES	2	#8 MIN. 3"	15								SOUTHERN
TOTAL FIREBOX			183	197						CYLINDER	22" X 26"
PRIMARY HTG. SURFACE			1938	1929						VALVE	12" RISTON
SUPERHEATING SURFACE			400	400							
GRATE AREA			34.6 SQ. FT.								

R TR CK IN
 F H M