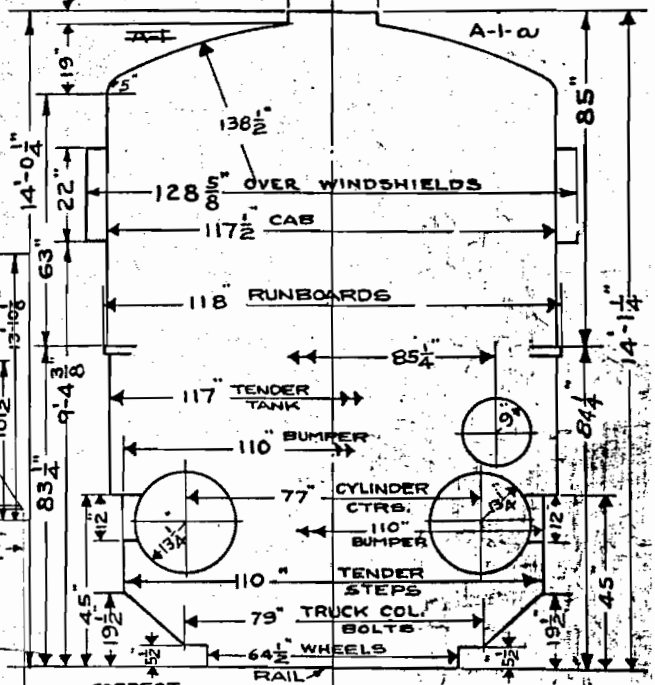
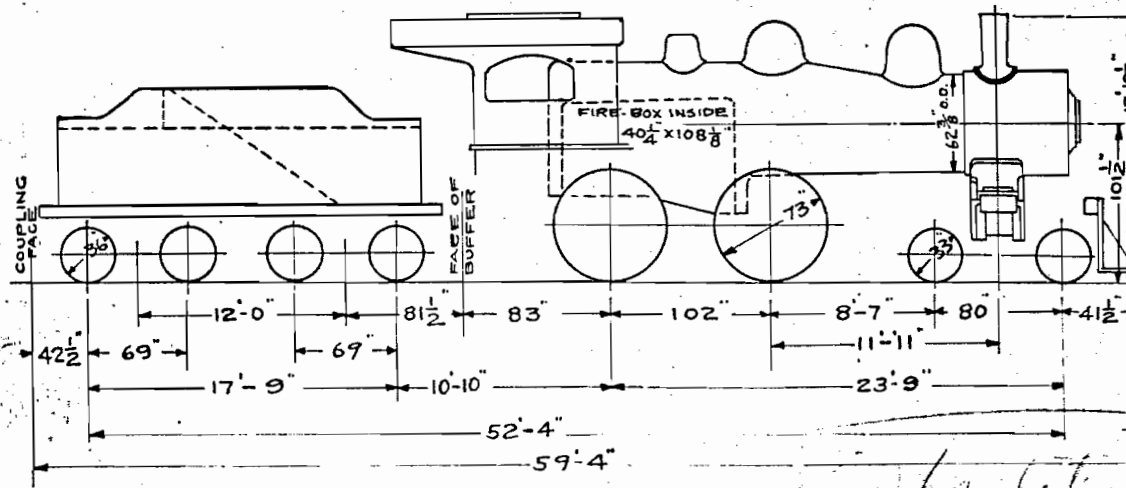


DEC. 26, 1929. N. Y. N. H. & H. R. R. CO. MECH. ENGRS. OFFICE

A-1				
Loco. No.	Old No.	BLDRS. No.	BUILDER	DATE BLT.
1250	862	28535	A.L.G. R.I.	1903
to	to	to		
1264	876	28549		
1265	401	4441	A.L. Co. Schdy.	1896
to	to	to		
1284	420	4460		

TENDERS		CLASS A-1-a
CLASS	ENG. NO.	
W-2-a	1287	DIAGRAM SK. 8043
W-6-b	1284	

ALL DIMENSIONS ARE GIVEN WITH ENGINE AND TENDER IN WORKING ORDER, AND WITH NEW WHEELS AND TIRES.



THIS SK. SUPERSEDES SK. 5453

BOILER DATA

TENDER DATA

GENERAL DATA

ITEM	B.W.G.	DIAM.	HEATING SURFACE SQ. FT.				TENDER DIAGRAM SK	LOADED WT. LBS.	CAPACITY		TENDER CLASS	BOILER PRESSURE		
			3 1/2 FLUES 12'0" LONG	163 FLUES 11'3 1/2" LONG	150 FLUES 11'3 1/2" LONG	11'5 1/2" LONG			WATER	COAL		WT. ON DRIVERS	WT. ON ENG. TRUCK	
SMALL FLUES	158	#12 MIN.	2"	1947	963	940	934	8012	58000	4500	8	W-2-a	200 LBS.	17'
LARGE FLUES	24	#10 MIN.	5 1/2"		393	393	393	8009	110000	5500	10	W-4-a	22356 LBS.	
TOTAL FLUES				1947	1356	1333	1327	8010	110000	5500	10	W-4-b		
FIREBOX PROPER				167	167	167	166	8010	110000	6000	10	W-5-b		
SYPHONS	(1)						29	8008	133300	7800	12	W-6-b		
ARCH TUBES	2	#8 MIN.	3"	15	15	15		8008	133300	7000	12	W-6-b		
TOTAL FIREBOX				182	182	182	195	8018	133300	7000	12	W-6-c		
PRIMARY HTG. SURFACE				2123	1538	1515	1522	8009	120000	6000	10	W-5-d		
SUPER HTG. SURFACE					309	309	309	8008	120000	6000	10	W-5-d		
GRATE AREA							30.2 SQ. FT.		133000	6000	10	W-5-g		

CORRECT APPROVED  
B.R. Jones C.D. [Signature]

(File)

DR.	TR.	CK.	IN.
H.	H.	M.	