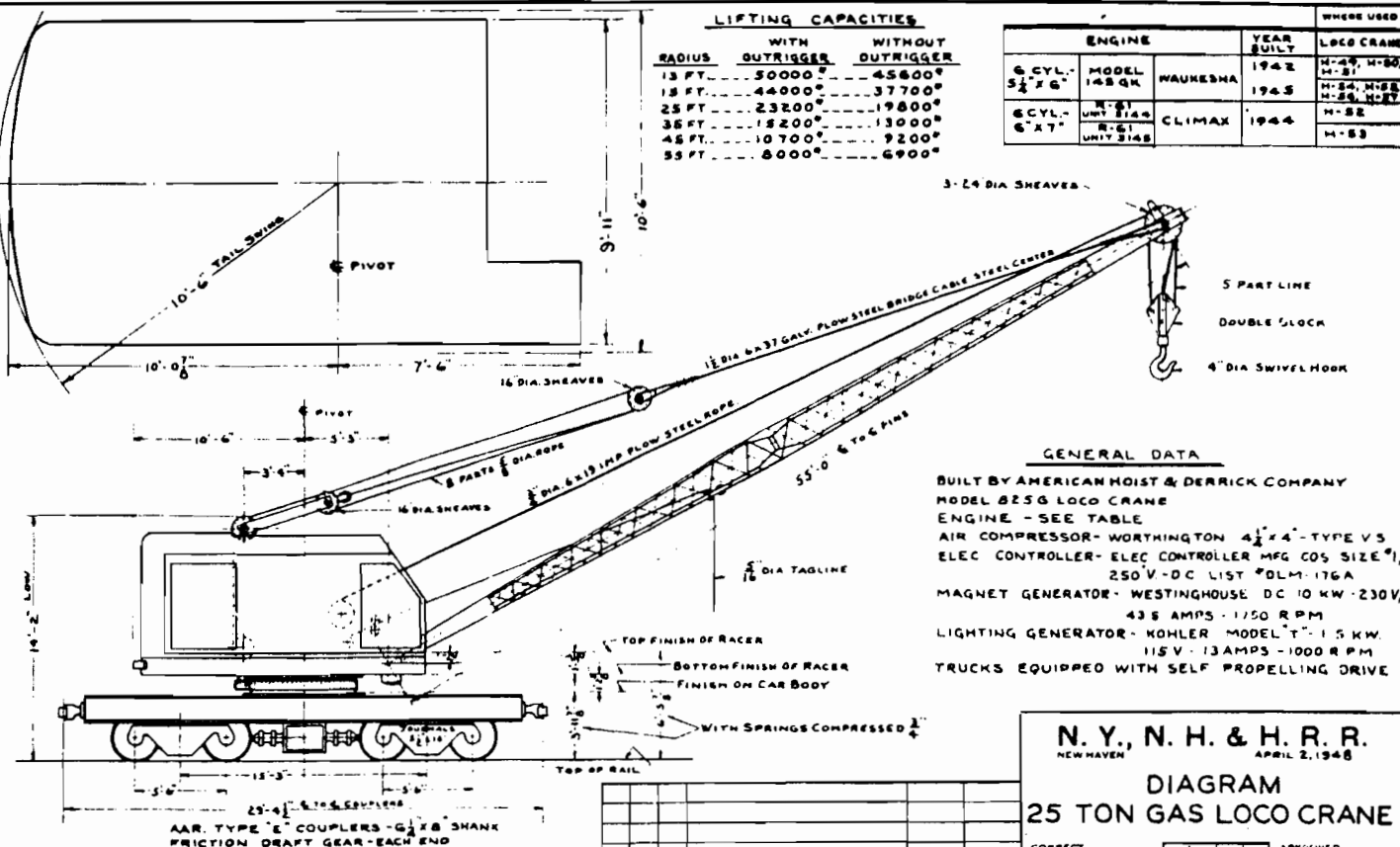


LIFTING CAPACITIES

RADIUS	WITH	
	OUTRIGGER	WITHOUT
13 FT.	50000°	45800°
18 FT.	44000°	37700°
23 FT.	23200°	19800°
38 FT.	15200°	13000°
48 FT.	10700°	9200°
53 FT.	8000°	6900°

ENGINE			YEAR BUILT	WHERE USED
6 CYL. 3 1/2" X 6"	MODEL	WAUKESHA	1942	M-48, M-50, M-51
	UNIT 3144		1945	M-54, M-55, M-56, M-57
6 CYL. 6" X 7"	M-81	CLIMAX	1944	M-52
	UNIT 3148			M-53



N. Y., N. H. & H. R. R.
NEW HAVEN APRIL 2, 1948

DIAGRAM
25 TON GAS LOCO CRANE

CORRECT

H. S. Bachler
ASST ME

APPROVED
L. S. ...
25157

IN	CA	BY	WHY REISSUED	DATE	LETTER