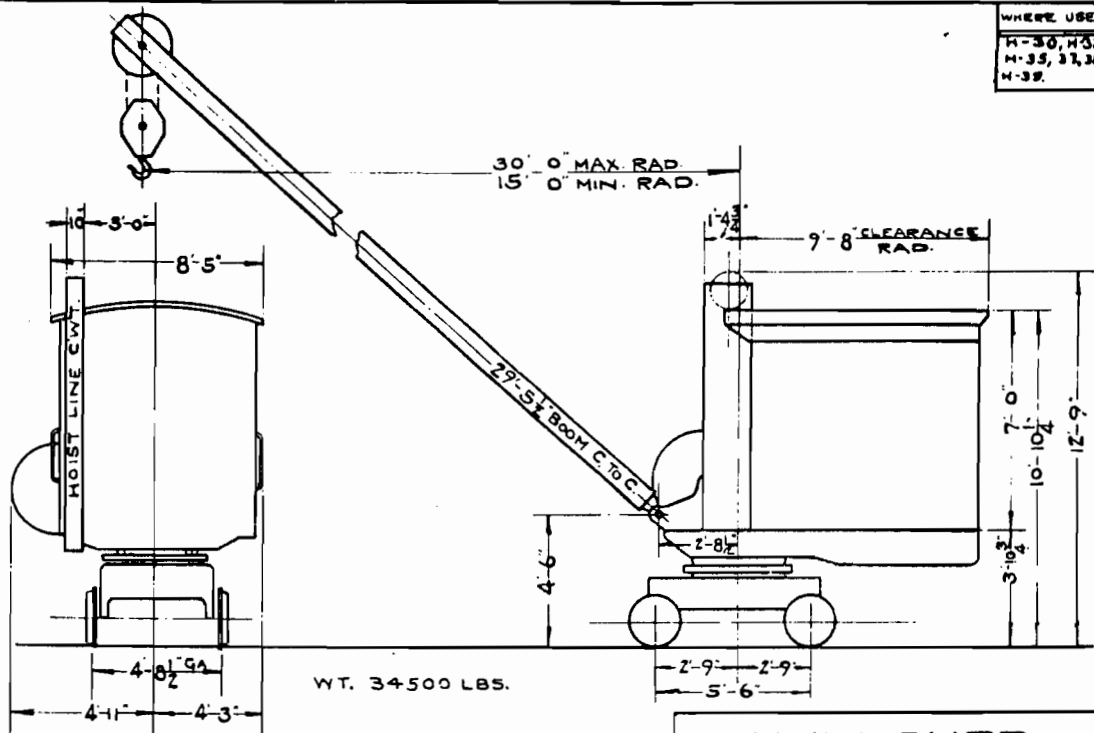


WHERE USED

H-30, H-32

H-33, 37, 38

H-39



N.Y.N.H.O.H.R.R.

DIAGRAM  
3 TON BROWNHOIST  
KEROSENE MOTOR DRIVEN

NEW HAVEN  
FEB. 27, 1922

SKETCH 5407

A

K	T <sub>PR</sub>	T <sub>PR</sub>	BROWN HOIST NO'S. CHGD MADE UP TO DATE.	4-27-48	A	
IN	CK	BY	WHY REISSUED	DATE	LETTER	

DR	TR	EK	IN
Ge	B	M	