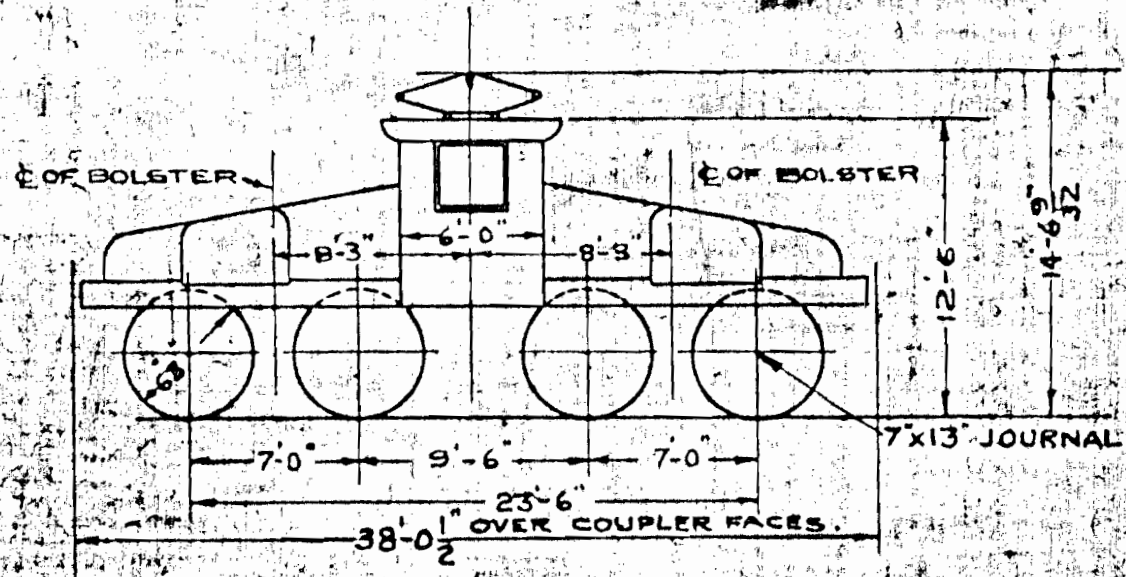


CLASS	ELECTRIC LOCOMOTIVES
EY-20	0215



BUILDER --- BALDWIN-WESTINGHOUSE-1911  
 TYPE --- AC SWITCHER  
 TRACTIVE EFFORT... MAX. 39,800\*... 14,500\* CONTINUOUS  
 WEIGHT ON DRIVERS --- 15,9200  
 TOTAL WEIGHT --- 15,9200  
 MAIN MOTORS --- 4-W.E.M.-410  
 GEAR RATIO --- 17/101  
 CURVATURE --- 146 FT.  
 CAB WIDTH --- 120"

NOTE:  
 VERTICAL CENTER OF GRAVITY IS 51" ABOVE RAIL

SUPERSEDES N. SK # 1385

**N. Y. N. H. & H. R. R.**  
 NEW HAVEN FEB 24 1925

**DIAGRAMS**  
**WEIGHTS & DIMENSIONS**  
**ELECTRIC LOCOMOTIVES**

CORRECT

*[Signature]*  
 M. E.

**SK. 5652**

M	T.P.R.	DETAIL DATA ADDED	3-23-48	D
M	H.F.	PANTAGRAPH HEIGHT WAS 14'-4 7/8"	3-23-43	C
M	H.F.	JOURNAL SIZES ADDED	2-26-40	B
M	H.F.	TO ADD CENTER OF GRAVITY SEE W.E. & M. CO. LETTER 5-15-28	5-21-28	A

DATE LETTER