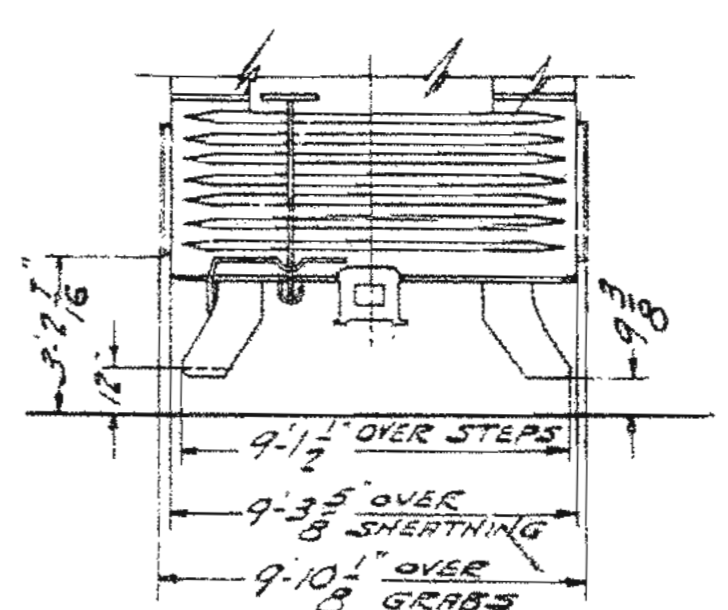
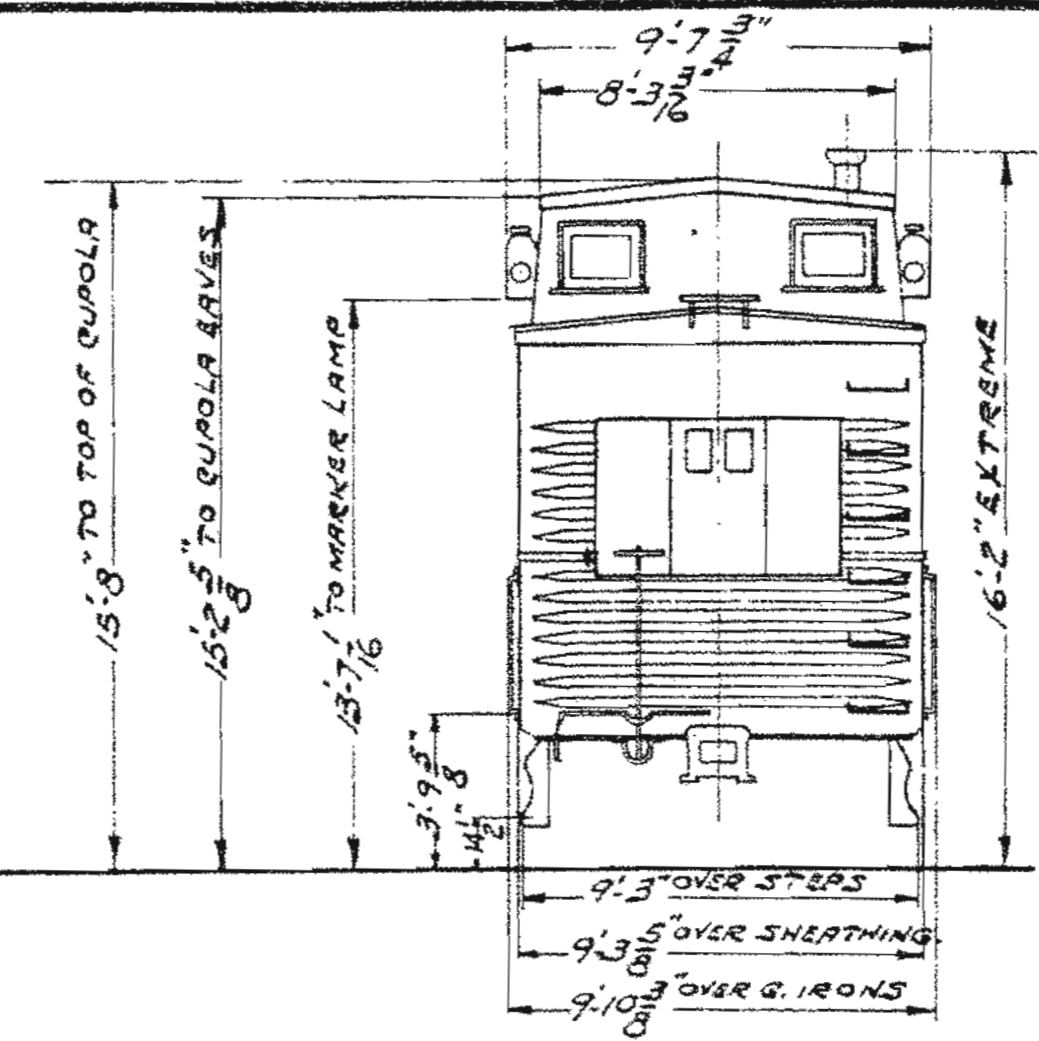
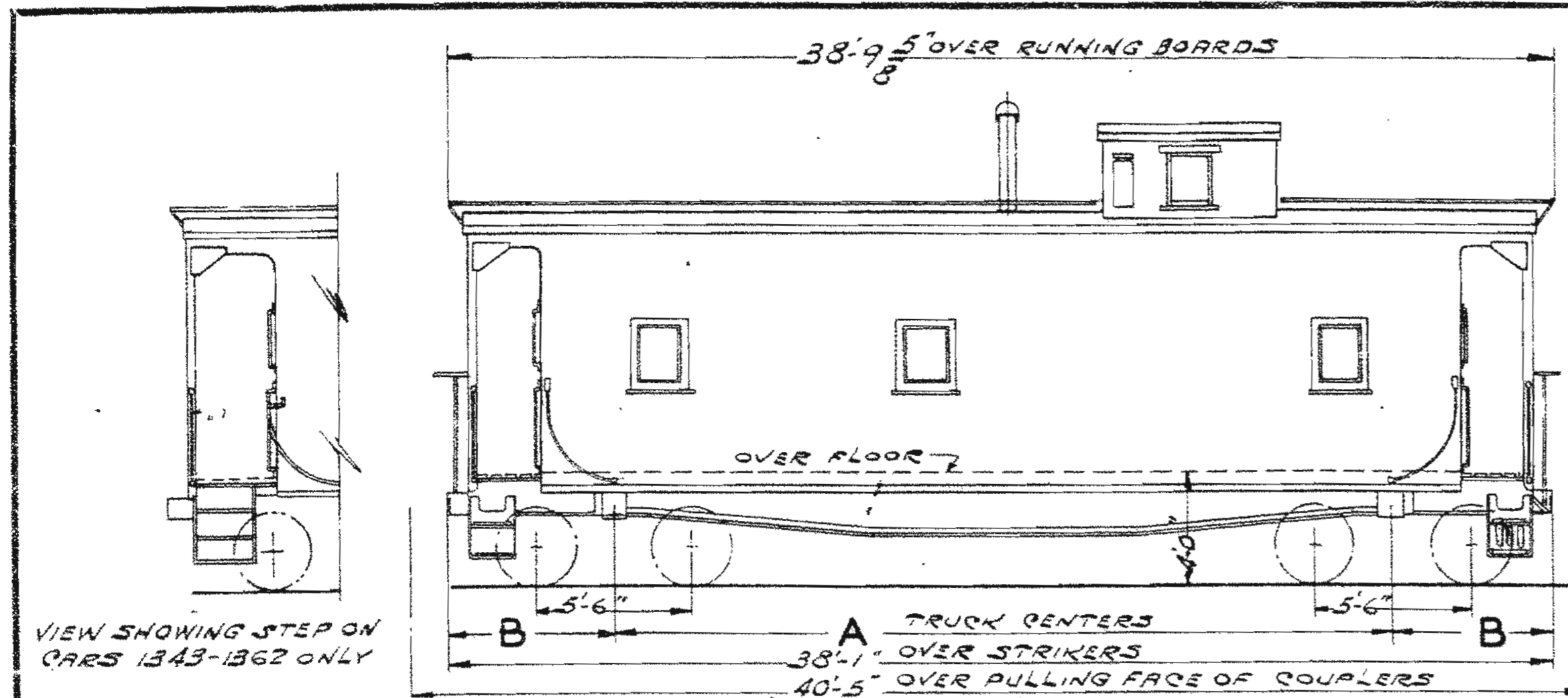
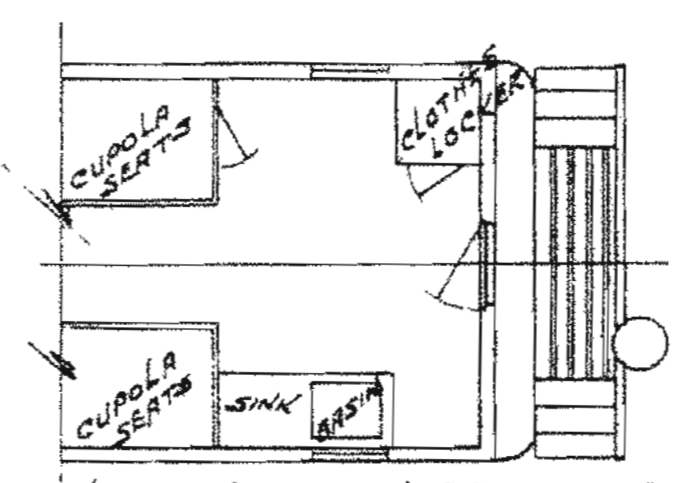
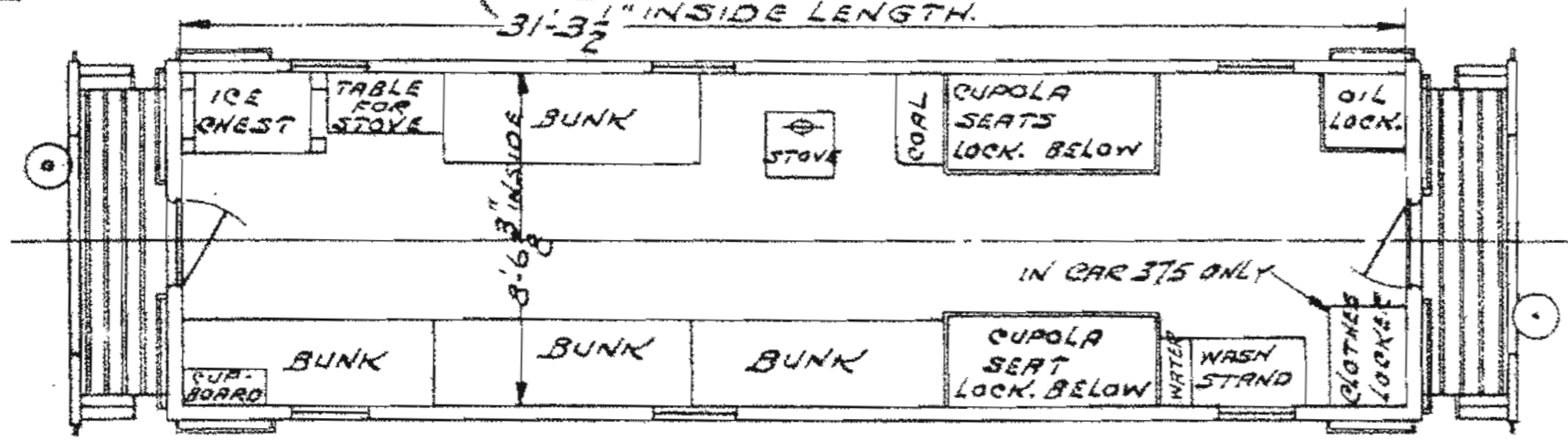


NOTE: -1- THESE CARS CONVERTED FROM THE 10000-10999 SERIES, EXCEPT CAR 1381 WHICH WAS CONVERTED FROM CAR 85223.

THE FOLLOWING CARS HAVE 27'-0" TRUCK CENTERS AND PASSENGER TYPE PLATFORMS AND STEPS 1370,



VIEW SHOWING STEPS ON CARS 1343-1362 ONLY.



VIEW SHOWING INTERIOR AT END IN CARS 1343-1362 ONLY

- 1343-1347 BUILT 1944
- 1348-1362 BUILT 1943
- 1363-1364 BUILT 1942
- 1365-1374 BUILT 1943
- 1375-1399 BUILT 1942

53-CARS

GENERAL DATA	
BUILT BY-AC&F FOR 10000 SERIES, H&K FOR 85000 SERIES	
YEAR BUILT-AC&F CARS 1916, H&K CARS 1917	
CAPACITY LEVEL FULL-CU. FT.	
CAPACITY WITH 10 IN. HEAP CU. FT.	
AVERAGE LOAD LIMIT-LBS.	
AVERAGE LIGHT WEIGHT-LBS.	
BUILDERS REFERENCE-AC&F CARS LOT 8040	
R. R. SPEC. NO.-LOT 100 FOR AC&F BUILT CARS	
CAR BODY DATA	
AIR BRAKE MFG.-NYRB Co.	
AIR BRAKE SCHEDULE-KC 1012	
BODY BOLSTER-BUILT UP STEEL	
BODY CENTER PLATE-CAST STEEL	
BODY SIDE BEARING-	
CARLINES-PRESSED STEEL, CUPOLA-CHANNELS	

CENTER SILL-BUILT UP STEEL	
CENTER SILL AREA-23.66 SQ. IN.	
CENTER SILL COVER PLATE-1/4" X 20 1/4"	
COUPLER-RAE TYPE "D" 5" X 7" SHANK	
COUPLER RELEASE RIGGING-IMPERIAL	
DOOR-WOOD	
DOOR FIXTURES	
DOOR CLEAR OPENING-2'-2" X 6'-7"	
DRAFT GEAR-MINER A-28-XB	
DRAFT GEAR ATTACHMENT-C.S. YOKE	
ENDS-CORRUG. STEEL	
END LOAD RATIO-.057	
FLOORING-1 3/4" SHIP LAP	
GENERAL DRAWING OF CAR-NO.	
HAND BRAKE-WHEEL & SHAFT BOTH ENDS	
LINING END-13/16" T&G	
LINING SIDE-13/16" T&G	
ROOF-WOOD, CANVAS COVERED	

SIDE BEARING CENTERS-5'-0"	
SHEATHING-13/16" T&G	
SUPERSTRUCTURE-WOOD	
UNDERFRAME-STEEL	
TRUCK DATA	
BOLSTER-CAST STEEL PAT. A-911	
BRAKE BEAM-NO. 2	
BRAKE BEAM SAFETY-2" X 2" X 3/8" ANGLE	
CENTER PLATE-CAST STEEL	
GENERAL DRAWING OF TRUCK NO.	
JOURNAL-5" X 9"	
SIDE BEARING	
SIDE FRAME-CAST STEEL PAT. A-985	
SPRING-ELLIPTIC 2 PER TRUCK DWG 76-2-230	
WHEELS-33" DIA.	
WEIGHT OF ONE TRUCK 7200#	
QTR. PLT. HGT.-2'-2"	

MISCELLANEOUS	
40 TON RIGID FREIGHT CAR TRUCKS	

SEE NOTE-1	A	B	
	27'-0"	5'-6 1/2"	1368-1399
	27'-0"	5'-6 1/2"	1363-1365
	25'-6"	6'-3 1/2"	1343-1362

CLASS		CARS	
CABOOSE			
N.K.P.			
ADVISORY MECHANICAL COMMITTEE CLEVELAND, OHIO JULY 6, 1942			
REVISIONS			
1-11-3-24			
52	53		
DR	TR	CH	GROUP NO.
JGB	JGB		1
			SHEET NO.
			10

